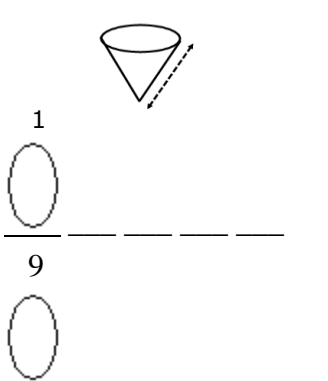
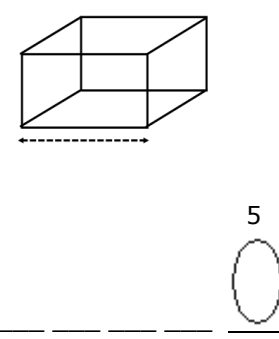
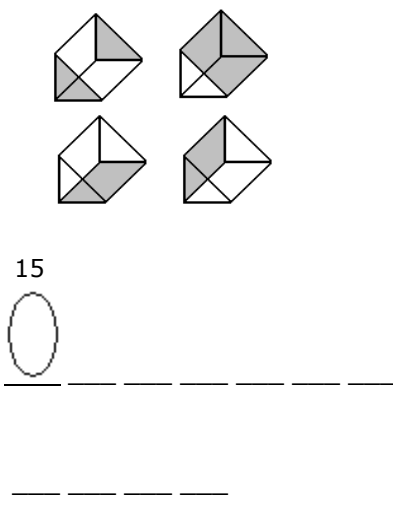
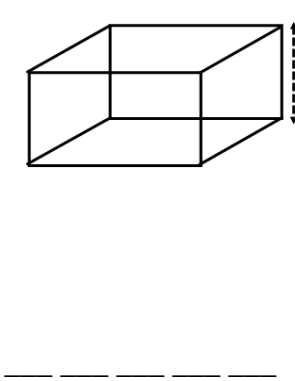


Chapter 1 Riddle

circle	cone	cube	cylinder
diameter	dimensions	formula	height
length	net	pyramid	radius
rectangle	rectangular prism	slant height	sphere
square	surface area	triangle	triangular prism
width			

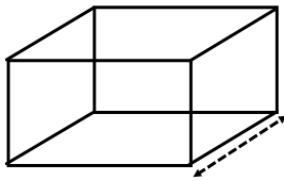
Riddle: Why didn't Mrs. Rectangular Prism want to hang out with Mr. Cube?

To find out, identify the object or object part shown in each visual. Write the correct term in the blank provided. Move the circled letters to the blank answer at the end of the puzzle.

<p>1.</p> 	<p>2.</p> 
<p>3.</p> 	<p>4.</p> 



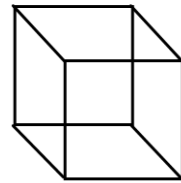
5.



13



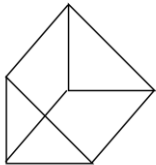
6.



7



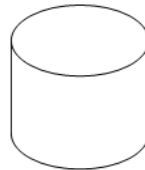
7.



8



8.



12



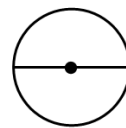
9.



6



10.



16

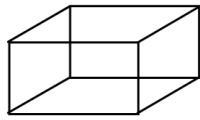


23





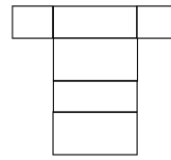
11.



19



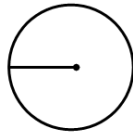
12.



4



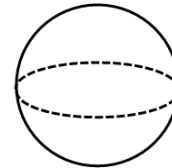
13.



14



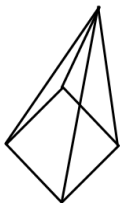
14.



11



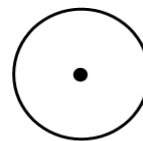
5.



22



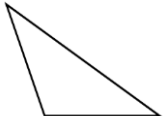
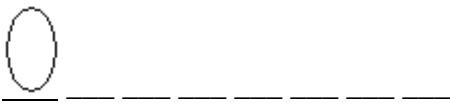
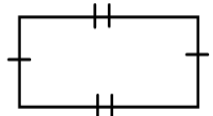

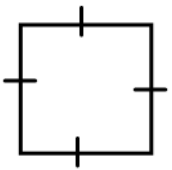
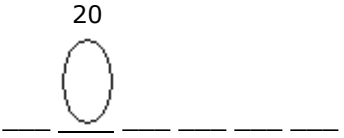
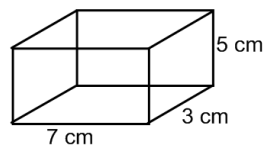
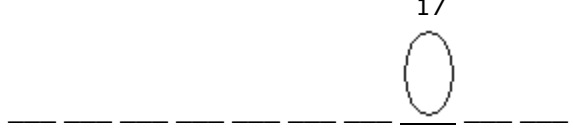

16.



24





<p>17.</p>  <p>10</p> 	<p>18.</p>  <p>3</p> 
<p>19.</p>  <p>20</p> 	<p>20.</p>  <p>17</p> 
<p>21.</p> <p>$SA = 2lw + 2wh + 2lh$</p> <p>18</p> 	

Riddle Answer:

- | | | | | | | | | | | | | | | |
|----|----|----|----|----|----|----|----|----|----|----|----|----|----|----|
| 1 | 2 | 3 | 4 | 5 | 6 | 7 | 8 | 9 | 10 | 11 | 12 | 13 | 14 | 15 |
| 16 | 17 | 18 | 19 | 20 | 21 | 22 | 23 | 24 | | | | | | |

